

Invitation of quotation

for

Acrylic Sheet Jars

At

All India Institute of Medical Sciences, Jodhpur

Inquiry No.: : Admn/General/24/2015-AIIMS.JDH

Inquiry Issue Date : 19th February, 2016

Last Date of Submission : 25th February, 2016 at 05:00 PM.



All India Institute of Medical Sciences, Jodhpur

Basni Phase - II, Jodhpur – 342005, Rajasthan

Telefax: 0291- 2012978, email: procurement@aiimsjodhpur.edu.in

www.aiimsjodhpur.edu.in

Invitation of quotation for Acrylic Sheet Jars at AIIMS Jodhpur

Sealed Quotations are hereby invited by the undersigned on behalf of the Director, AIIMS Jodhpur for supply of Acrylic Sheet Jars for the Institute as per terms & conditions mentioned below. The filled quotations along with all the required document must reach in the office of the undersigned on or before 24.02.2016 05.00 PM. The Envelope containing the quotation would please be sealed and super scribed as under:-

**“QUOTATION FOR SUPPLY OF ACRYLIC SHEET JARS AGAINST INQUIRY NO.
ADMN/GENERAL/24/2015-AIIMS.JDH”
DUE ON 24.02.2016 05.00 PM”**

1. Terms & Conditions:

- A) The quotations received after this deadline & unsealed shall not be entertained under any circumstances whatsoever. In case of postal delay this Institute will not be responsible.
- B) Quotations must be in the enclosed prescribed Performa on the letter head of the firm duly signed by the Proprietor/ Partner/ Director or their authorized representative, In case of signing of quotation by the authorized representative letter of authorization must be attached with the quotation.
- C) Bidder must quote the product as per specification provided in Annexure 1.
- D) Rates must be quoted in **Indian rupees** and as per the format specified taxes extra if any must be written separately.
- E) Rates must be quoted FOR basis (including Freight charges, Insurance, installation etc.)
- F) No overwriting or cutting is permitted in the rate. If found, the quotation shall be summarily rejected.
- G) The rates quoted must be valid for 60 days minimum from the date of opening of the quotation and silence of any tendered on this issue shall be treated as agreed with this condition.
- H) Becoming L1 will not be the criteria for awarding of purchase order unless the rates are reasonable & justified.
- I) RTGS/NEFT details need to be furnished by the supplier with the quotation on the letter head of supplier/firm/agency.
- J) The firm/agency may satisfy the following conditions and attach self-attested copy of the same with the quotation:
 - Firm shall be registered with the Government of Rajasthan / Central Government.
 - The firm shall have valid VAT/ Sales Tax No. and IT PAN.

- **The firm should not be black listed by any Govt. Agency/Dept.**

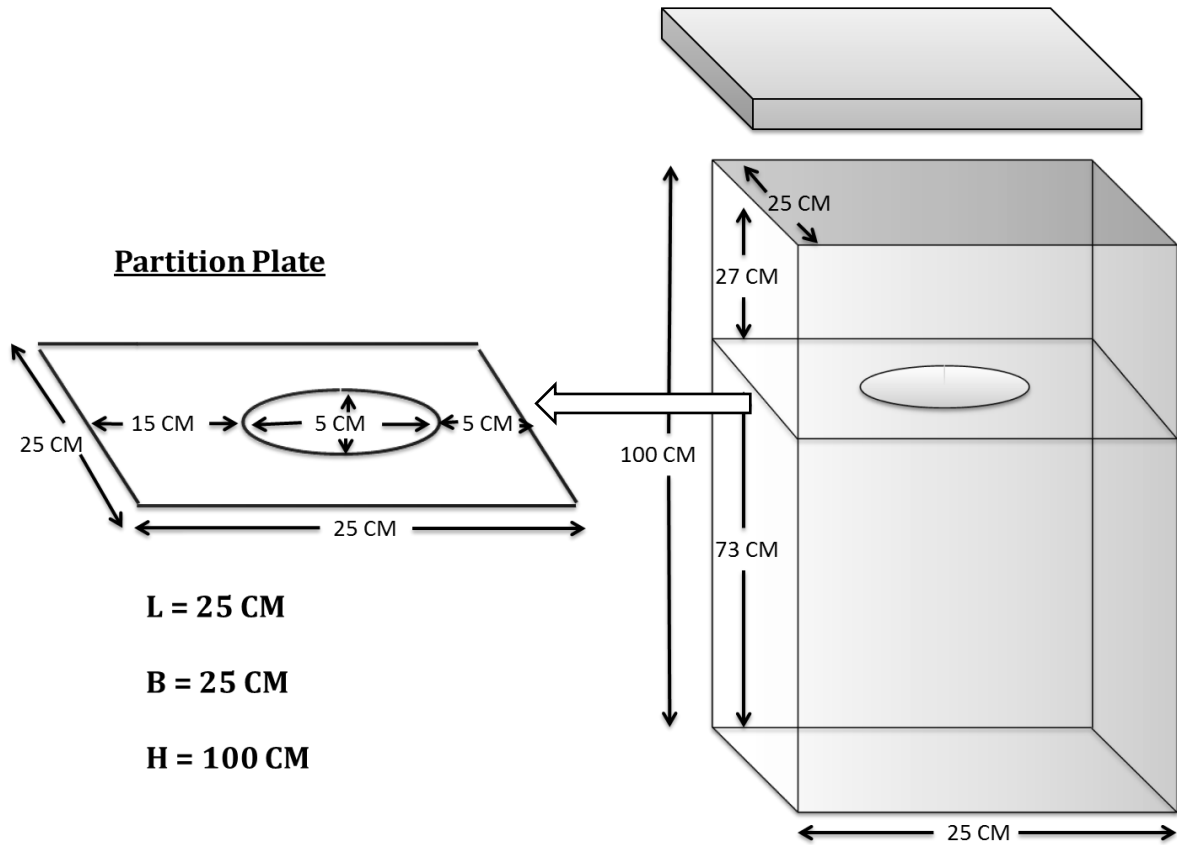
- K) Quotations qualified by such vague and indefinite expressions such as “subject to prior confirmation”, “subject to immediate acceptance” etc. will be treated as vague offers and rejected accordingly. Any conditional quotation shall be rejected summarily.
- L) The supplier may be asked to submit a sample of the product(s), which will be evaluated by a technical evaluation committee. The expenditure incurred for demonstrating the items will be borne by the supplier.
- M) **Delivery Period** – within 15 days from Purchase order.
- N) **Liquidated Damage:** - If the supplier fails to deliver the material on or before the stipulated date, then a penalty at the rate of 0.5 % per week of the total order value shall be levied subject to maximum of 10% of the total order value.
- O) **Payment Terms:** Payment will be only after satisfactorily delivery / commissioning of material and after inspection by the AIIMS Jodhpur.
- P) **Disputes:** -In the event of any dispute or disagreement arising between the contractors and any other department of AIIMS Jodhpur with regards to the interpretation of “Terms & Conditions” of this inquiry, the same shall be referred to the Director, AIIMS Jodhpur whose decision will be final and binding upon the contractor.
- Q) AIIMS, Jodhpur reserves the right to increase or decrease quantity and / or amount of work. Decision of Quantity of material in the AIIMS, Jodhpur will be final in this regard.
- R) AIIMS, Jodhpur reserves the right to reject any quotation or part or the whole of inviting quotation process without assigning any reason. Decision of the AIIMS, Jodhpur will be final in this regard.

Administrative Officer

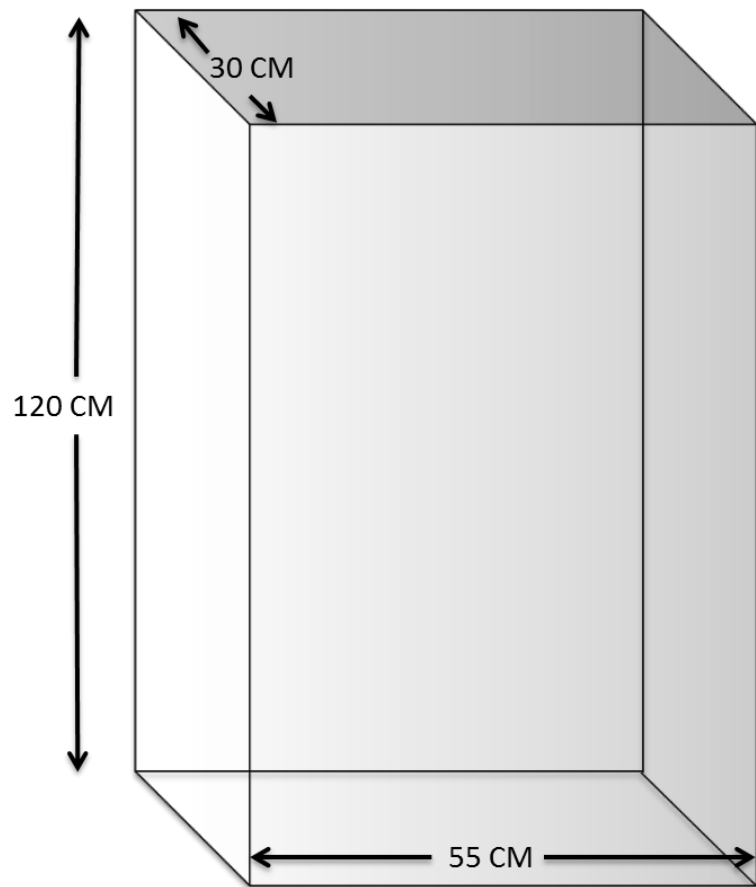
Encl.: Annexure 1 (Specification)
Annexure 2 (Format of price bid)

Specification

S. No.	Specifications Museum Jars	Qty.
1.	Acrylic Body Jar with Aluminium side angles Acrylic 8mm thick, imported clear sheet fabrication; size (L X B X H) 25cm X 25cm X100cm fitted with an acrylic partition plate having a round opening of 5cm diameter with following dimensions as shown in the image below	01



2.	Acrylic Body Jar with Aluminium side angles Acrylic 8mm thick, imported clear sheet fabrication; size (L X B X H) 55cm X 30cm X 120cm	01
----	---	----



L = 55 CM

B = 30 CM

H = 120 CM

[On the letterhead of firm]**ANNEXURE "2"**
PRICE BIDFORM

To,

Administrative Officer,
AIIMS, Jodhpur.

Dear Sir,

1. I/We Submitted the quotation for Enquiry No. **"QUOTATION FOR SUPPLY OF ACRYLIC SHEET JARS AT AIIMS AGAINST THE INQUIRY NO. Admn/General/24/2015-AIIMS.JDH"** DUE ON 24.02.2016 05.00 PM for supply of Acrylic Sheet Jars at AIIMS Jodhpur".

2. I/We thoroughly examined, understood and accepted terms & conditions given in the enquiry document, failing which my quotation will be rejected out rightly.

3. I/We hereby offer to supply at the following rates.

S. No.	Particulars	Qty	Price/Unit Exclusive of TAX (INR)	TAX %	Price/Unit inclusive of TAX (INR)	Total Amount Inclusive of TAX (INR)
1	Acrylic 8mm thick, imported clear sheet fabrication; size (L X B X H) 25cm X 25cm X100cm fitted with an acrylic partition plate having a round opening of 5cm diameter with dimensions as shown in the above image.	1				
2	Acrylic Body Jar with Aluminium side angles Acrylic 8mm thick, imported clear sheet fabrication; size (L X B X H) 55cm X 30cm X 120cm	1				

Date_____

Place_____

(Signature of Authorized Person)_____

(Name)_____

Name of Firm/Company/Agency_____

Phone No._____

Email:_____